

HS4220 Two Phase 1.8° Stepper Motors

■ Features

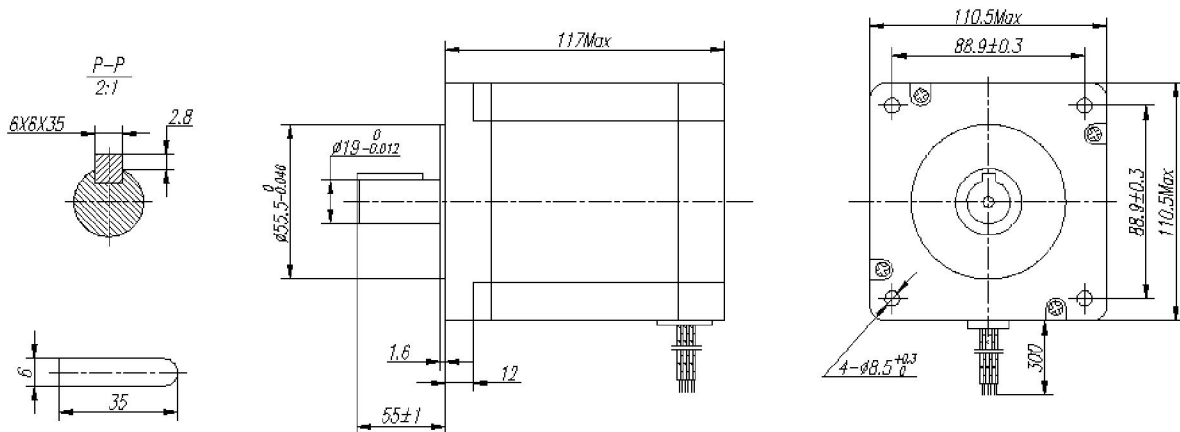
- 1.8° Stepping Angle
- NEMA 42
- High Accuracy
- Smooth Movement



■ Specification

Model	Holding Torque	Rated Current	Resistance	Inductance	Voltage	Rotor Inertia	Shaft Size	Lead Number	Length	Weight
	Oz-in (NM)	A	Ohm	mH	V	oz-in-sec ²	inch		inch	lb
HS4215	2124 (15)	6.0	0.5	8	3.0	0.07755	0.748	4	4.61	13.6

■ Mechanical Dimension



■ Wiring Diagram

