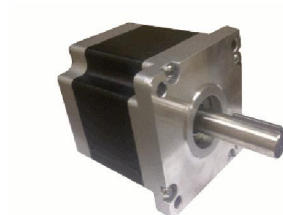


HS4212 Two Phase 1.8° Stepper Motors

■ Features

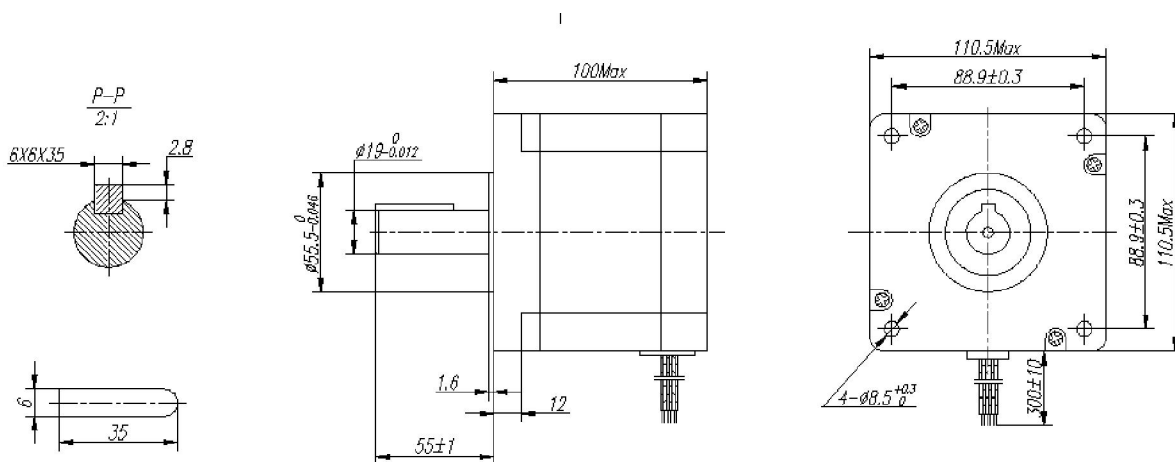
- 1.8° Stepping Angle
- NEMA 42
- High Accuracy
- Smooth Movement



■ Specification

Model	Holding Torque	Rated Current	Resistance	Inductance	Voltage	Rotor Inertia	Shaft Size	Lead Number	Length	Weight
	Oz-in (NM)	A	Ohm	mH	V	oz-in-sec ²	inch		inch	
HS4212	1770 (12.5)	6.0	0.5	6.0	3.0	0.04935	0.748	4	3.94	12.10

■ Mechanical Dimension



■ Wiring Diagram

